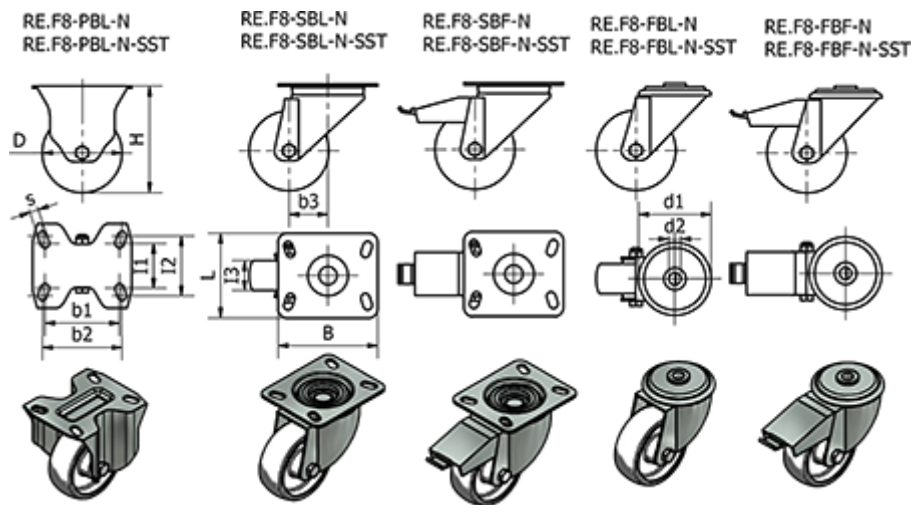


Article number: 2314450691

Description: E+G polyamide wheel

RE.F8-200-FBL-N - Turning plate wo/brake in Zinc-plated steel

## Measures



= -	d2	= 20	Rolling resistance (N)	= 3150	
B	=	Dynamic carrying capacity (N)	= 3000	s	=
b1	=	H	= 236	Type	= RE.F8-200-FBL-N
b2	=	l1	=	Wight (g)	= 1950
b3	= 56	l2	=		
Code	= 450691	l3	= 50		
D	= 200	L	=		
d1	= 102	R	= -		